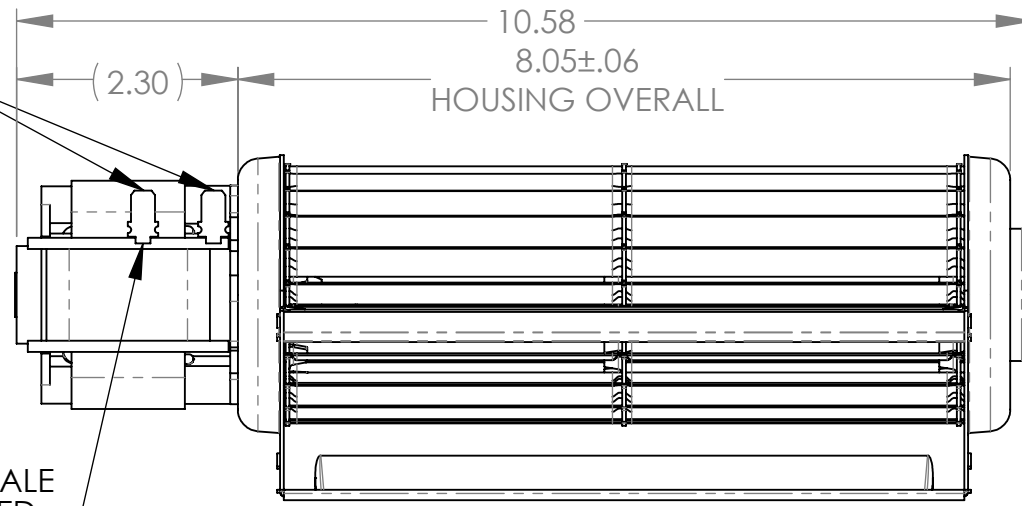


MOTOR SIDE VIEW  
ROTATION DETERMINED  
FROM THIS SIDE

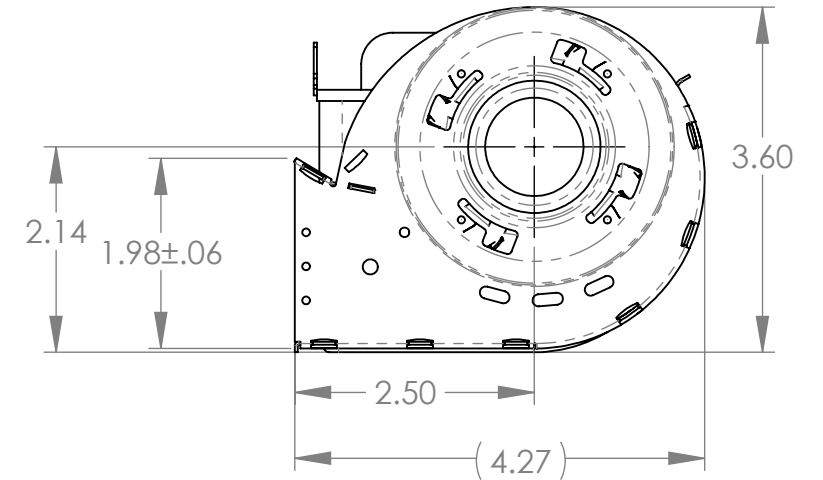
(2) FASTONS MALE  
6.3 X 0.8 TINNED

(2) FASTONS MALE  
6.3 X 0.8 TINNED

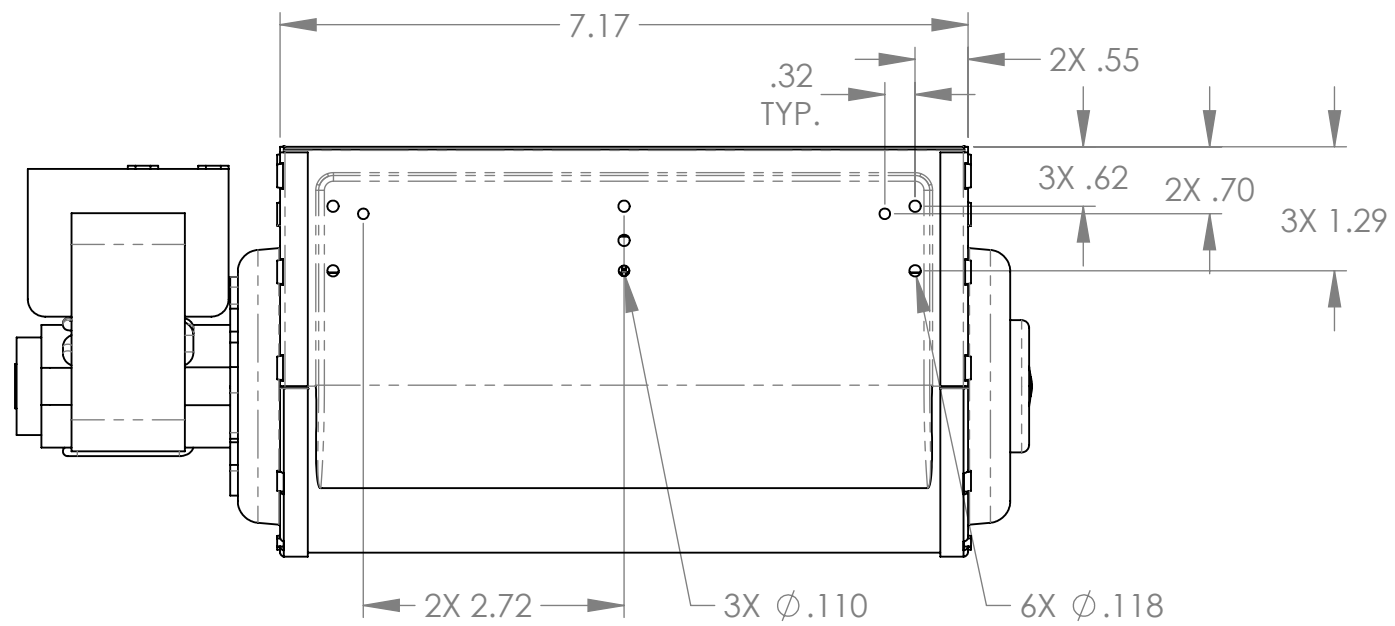


DISCHARGE VIEW

BEARING ASSEMBLY



BEARING SIDE VIEW



## GZ550-1KT - FAN 180MML-H-MOTOR-65



MY  
**FireplaceBlower**

[www.MyFireplaceBlower.com](http://www.MyFireplaceBlower.com)