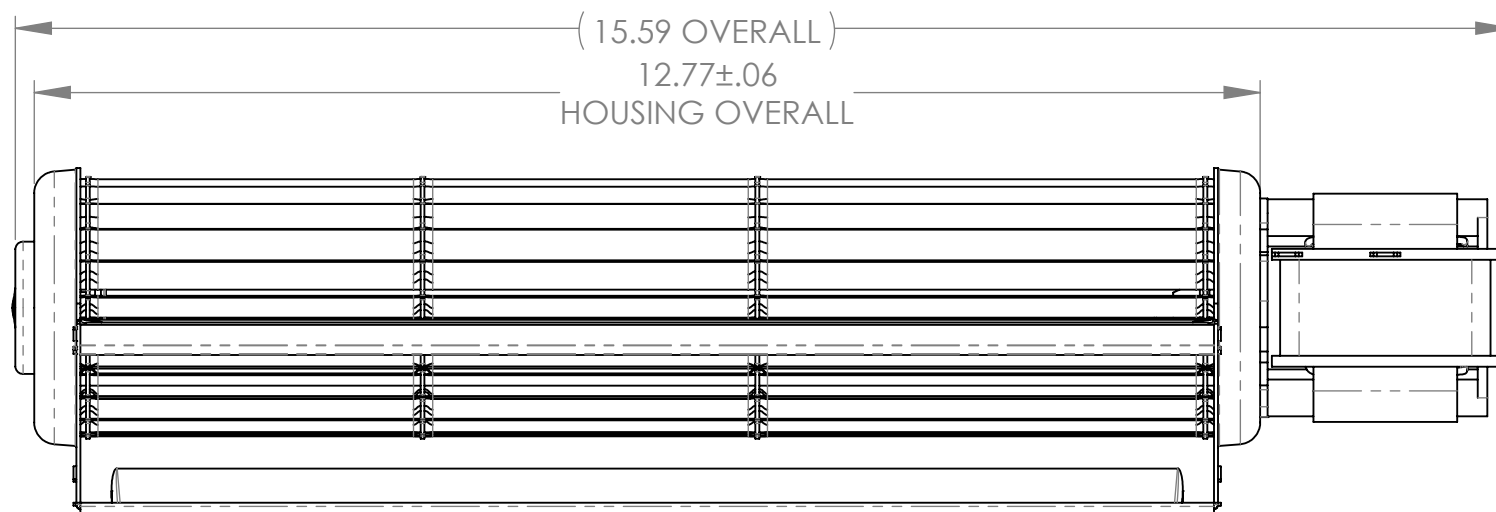
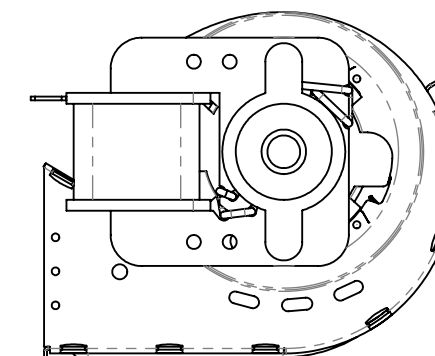


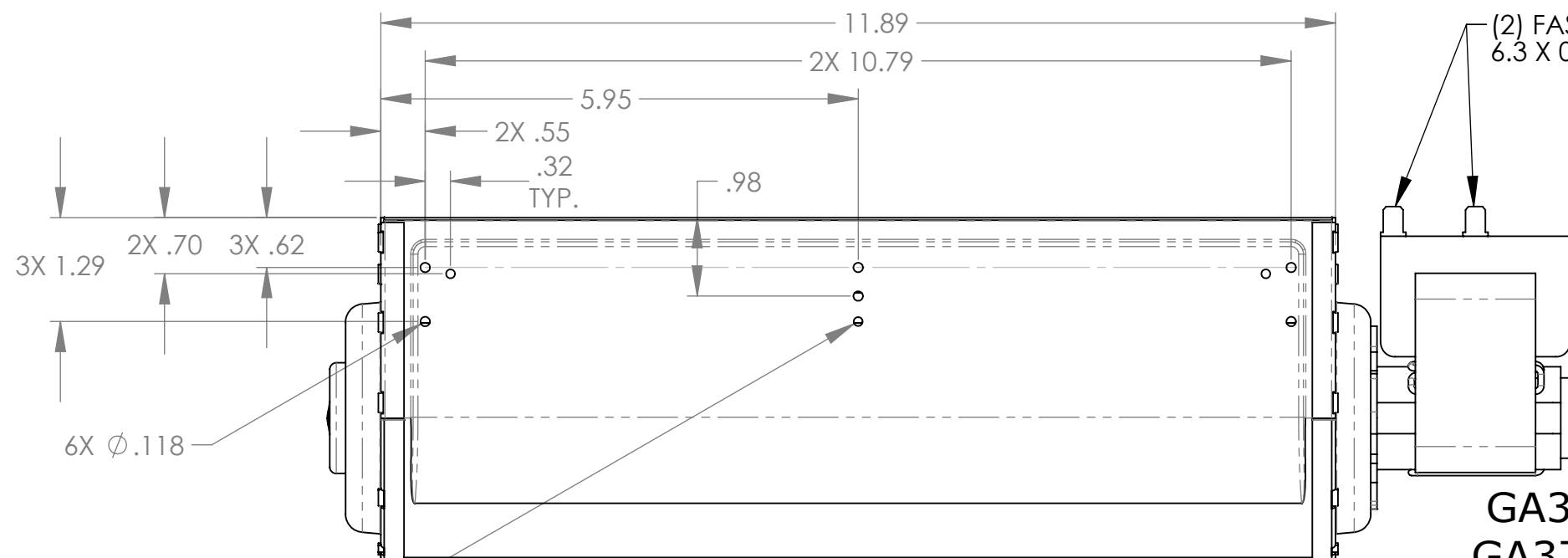
SIDE VIEW



DISCHARGE VIEW



MOTOR SIDE VIEW  
ROTATION DETERMINED  
FROM THIS SIDE



(2) FASTONS MALE  
6.3 X 0.8 TINNED

GA3700 - GA3700A  
GA3700T - GA3700TA  
300MMR-H-MOTOR-65



MY  
**FireplaceBlower**

[www.MyFireplaceBlower.com](http://www.MyFireplaceBlower.com)