



Instructions for Design Version - GA3450TA Blower Kit



WARNING

RISK OF FIRE AND ELECTRICAL SHOCK!

TURN OFF THE GAS AND ELECTRICAL POWER BEFORE INSTALLING BLOWER!

When installed, make sure to contain any excess wire of the cord set; Preventing it from making contact with moving or hot objects.

Drywall dust or other fragments may be present in your fireplace's vent space, clean this area before you install the blower kit. Any bearing or motor damage resulting from this condition is not covered by the warranty policy.

This Blower Kit is tested and safe when installed in accordance with these installation instructions. It is your responsibility to read all instructions and consult the Owner's Installation Manual for your particular model number for Supplemental Information before starting installation. Blower operates on 120V/60Hz power.

Blower Kit Parts

Check the contents of the carton. Make sure nothing was damaged in shipment. Do NOT install a damaged blower kit!

Step 1: Turn Off Fireplace and allow it to cool down. Disconnect from 120V Power. Shut off the Gas supply. Remove the louver which covers the lower vent space below the firebox.

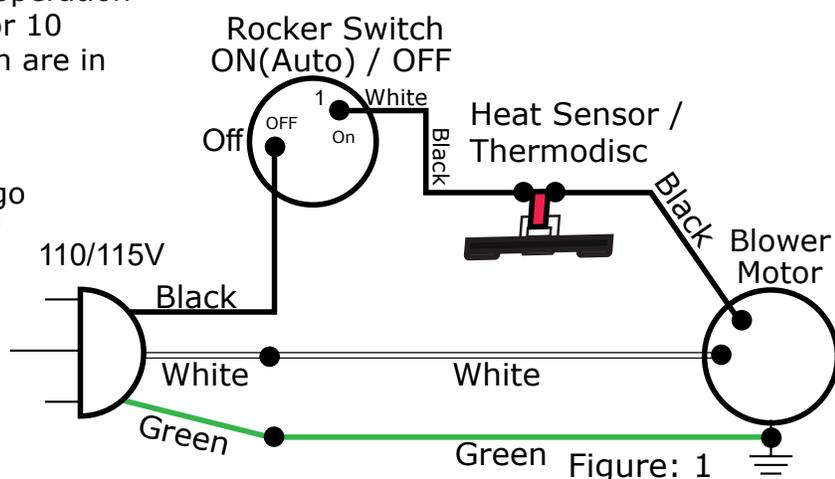
• Lay cord set on floor and connect wires (Figure: 1). Plug Power Cord into "Live" Outlet. Test Blower operation by placing flame to Silver Disc of Heat Sensor for 10 seconds. Verify Speed Control and Rocker Switch are in "ON" Position. (ON is AUTO) (Figures: 1, 7 & 9).

• Push disconnects together, one plastic insulator fits inside the other. Black and White wires can go to either Metal Spade on Motor, does not matter which one.

- WHITE Wire - Connects to Metal Spade on Motor
- BLACK Wire - Connects to Variable Speed Control and Heat Sensor, then to Metal Spade on Motor
- GREEN Wire - Push onto Metal Ground tab on side of Motor (Figure: 4)

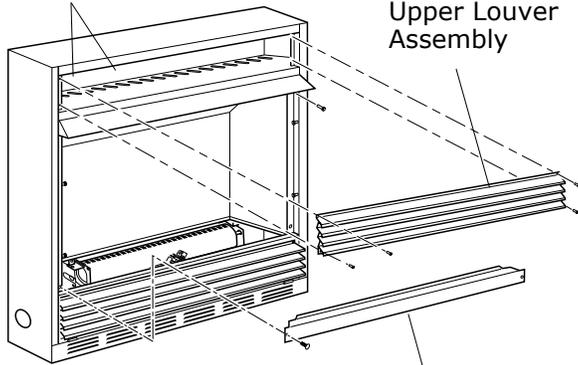
* You may remove the Variable Speed Control and/or Heat Sensor if you choose not to use them.

Description	Qty.
Blower - with Mounting Bracket	1
* Thermodisc / Heat Sensor	1
* Variable Speed Control	1
Cord Set	1
Packet of 6 Screws	1
Installation Instructions (Downloadable)	1





Blower Bracket
Mounting Holes



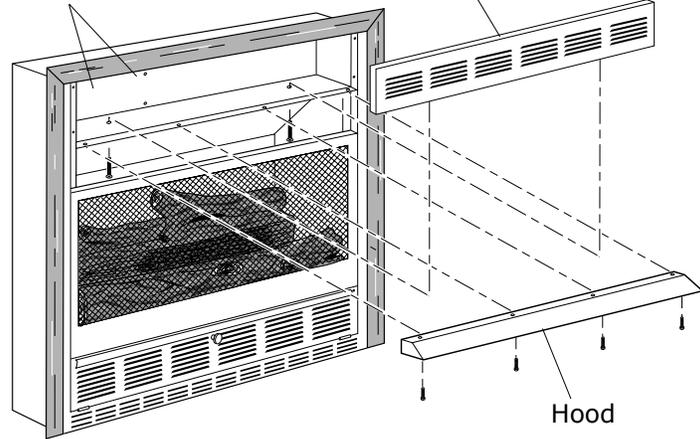
Cross Member and Upper Louver "Fin" Assembly

WARNING: Never attempt to service Fireplace while it is plugged in, operating, or hot. Burns and electrical shock could result.

Step 2: Removing Upper & Lower Louvers for access to install Blower and Power Cord with Cord Set.

See (Figure: 2) for illustration of "Fin" or "Slit" Louver types. Typically, screws are securing the Louvers in place.

Blower Bracket
Mounting Holes



Hood and Upper Louver with "Slit" Formations

Figure: 2

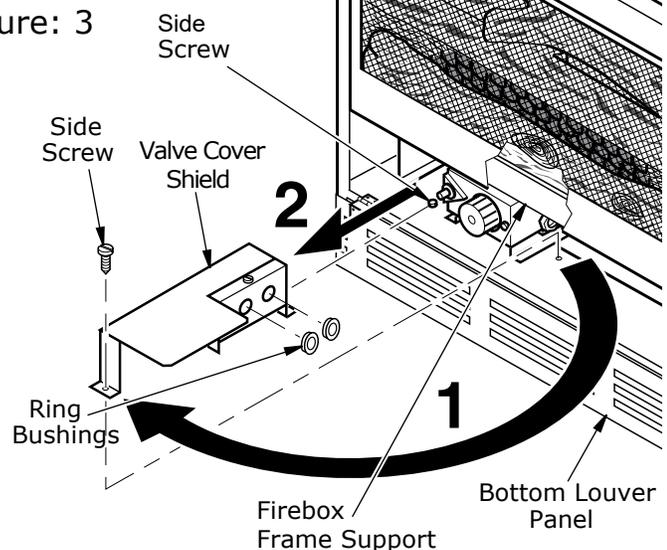
- A "Cross Member" or "Hood" may need to be removed also (Figure: 2).
- Pull Louver Assembly straight out from fireplace.

Step 3: Removing Valve Cover Shield

- Open bottom Louver Assembly by swinging the assembly down (Figure 3).
- Using short Phillips screwdriver, remove screw under center of Cross Member if necessary. Rotate Valve Cover Shield clockwise and slide out (Figure 3 - #1).
- **IMPORTANT:** Do not remove Side Screw on left side of Valve Cover Shield. Slide Valve Cover Shield off Side Screw (Figure 3 - #2).

Removing Valve Cover Shield

Figure: 3



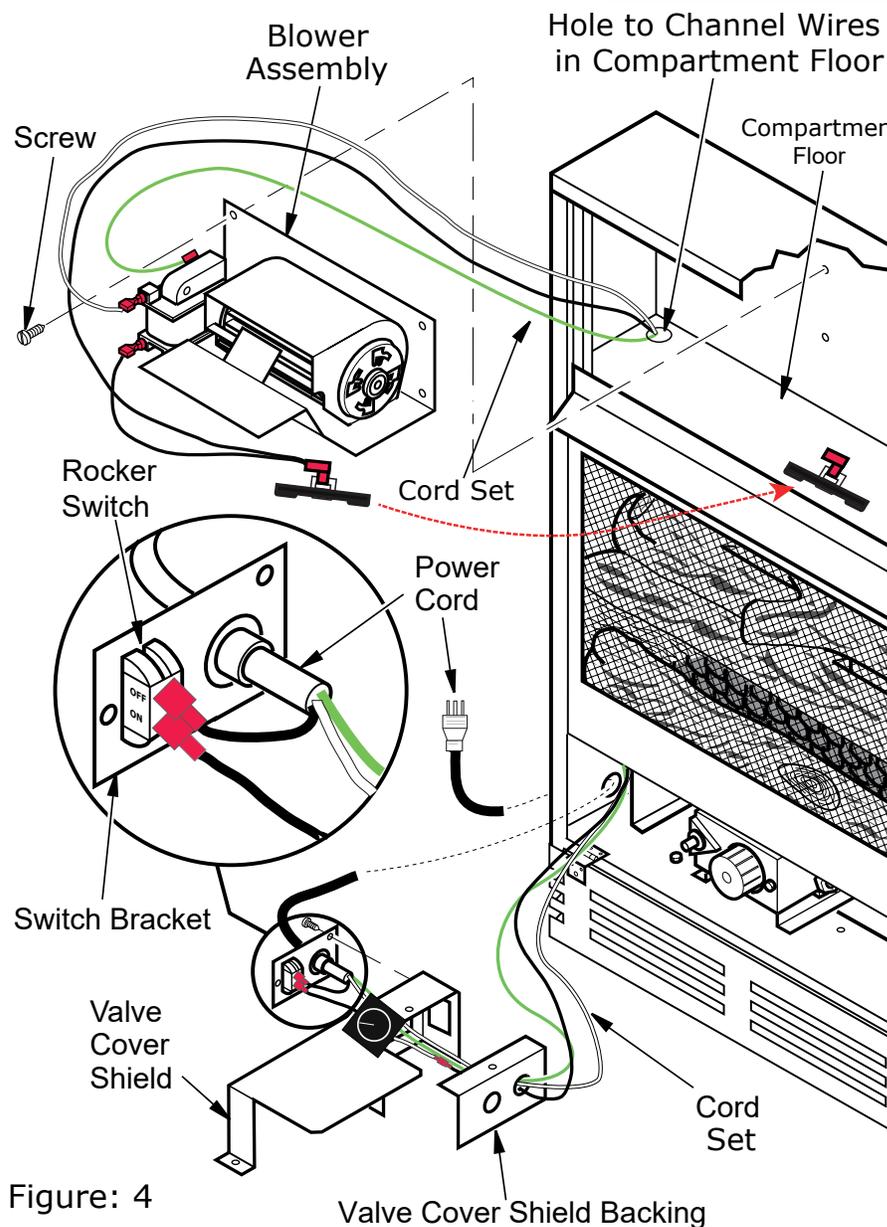


Figure: 4

Step 4: Installing Blower

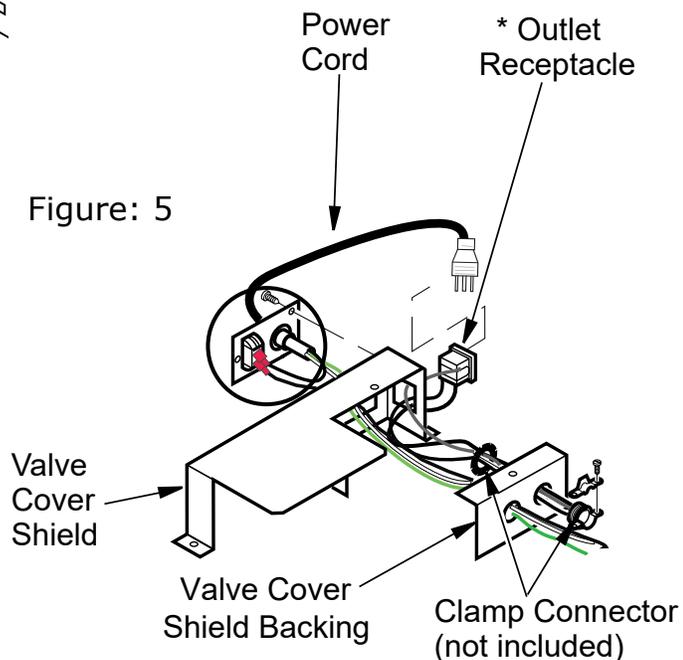
- Note: If you are using a mantel with your heater, see (Figure: 4). If your heater is Built-In Installation, see (Figures: 4 & 5) for where Power Cord plugs into the Outlet Receptacle.
- In top of heater cabinet, locate four mounting holes on Back Wall. Align the four holes with those on blower bracket assembly. Secure blower bracket assembly to Back Wall with 4 screws and place Heat Sensor on Compartment Floor to the Right of Blower (Figure: 4).
- Route Cord Set through hole in lower left Side Panel. Pull Cord Set through lower opening above where Valve Cover Shield was removed. (Figure: 4.)
- Insert the 3 wires of Cord Set into one of the round holes of Valve Cover Shield Backing and through Rectangular Hole in front of Valve Cover Shield (Figure: 4).
- Reconnect Green, White and Black wires to where they were previously connected.
- Install switch plate on Valve Cover Shield with 2 screws provided (Figure: 6)

Step 5: Reinstall Valve Cover Shield (Figures: 3 & 4).

- Route power cord out of cabinet by inserting it through hole on lower Side Panel (Figure: 4).
- Note: If you are using a mantel with your heater, see (Figure: 4), if your Fireplace is Built-In see Below.

For Built-In Installation, reference (Figure: 5) for location where the Power Cord plugs into the Outlet Receptacle. *A licensed electrician must install the Outlet Receptacle from the incoming electrical supply to Valve Cover Shield in compliance to Local or National Code (Figure: 5).

Figure: 5



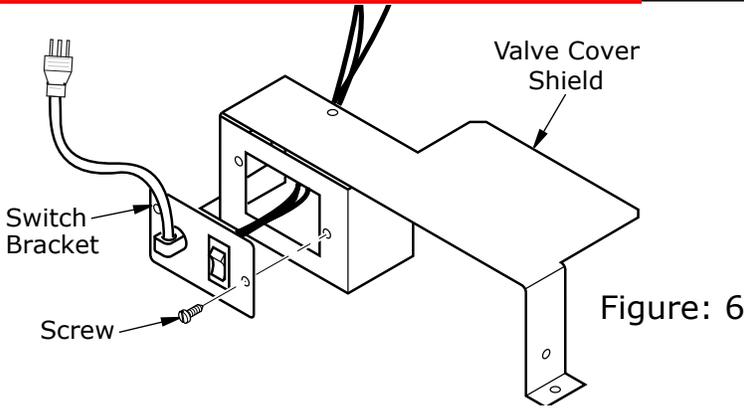


Figure: 6

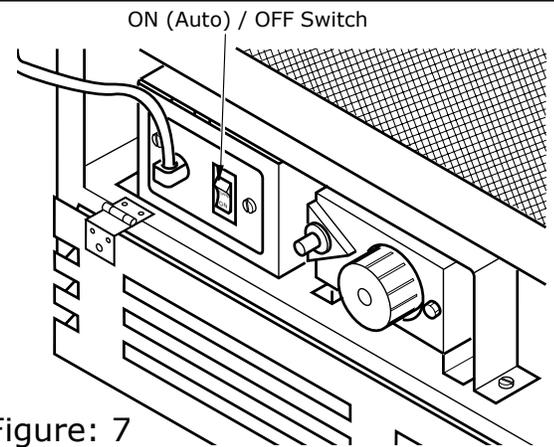


Figure: 7



The fan will not run until the Thermodisc / Heat Sensor reaches approximately 120°F and the Variable Speed Control is turned to the "ON" Position! This means the Heat Sensor must be in contact with a hot spot on the underside of the Firebox.

Step 6:

- Reinstall Upper and Lower Louvers; If gas supply and/or 120 Volt Power are Turned Off, turn them back on.
- Plug fan kit into 120-Volt grounded power supply and test operation. (Figure: 10)
- The ON(AUTO)/OFF Rocker Switch controls power to the blower (Figure: 7). The Blower will not come on and shut off immediately with the Heat Sensor installed.

- To adjust minimum speed: Rotate clockwise to decrease low-end speed; counter-clockwise to increase low-end speed. (Figure: 8)

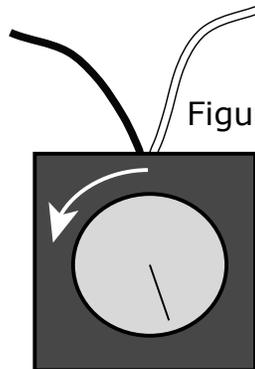


Figure: 9

- Turn the dial to counter-clockwise to increase speed until it clicks off, turn right to reduce speed. (Figure: 9)

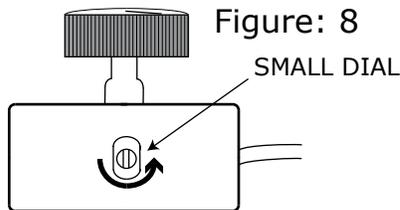


Figure: 8

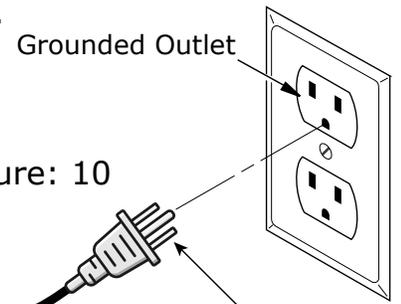


Figure: 10

My Fireplace Blower LLC produces and sells aftermarket fireplace blower kits; which require consultation of an Owner's Installation Manual from the Manufacturer of a particular fireplace model number for installation. During Installation of a fireplace blower kit or replacement blower, refer to the Owner's Installation Manual for your particular fireplace model to obtain supplemental information. My Fireplace Blower LLC is not responsible for any damage incurred during installation or resulting from installation of a fireplace blower kit, which was directed and/or conducted from the information within this document.

Installations in Canada must conform to the current CAN/CGAB-419.1 and .2 Gas Installation Code and local regulations. When installing the blower fan kit, it must be electrically grounded in accordance with CSA C22.1 Canadian Electrical Code Part 1 and/or Local Codes.

Installations in the USA must conform to local codes, or in absence of local codes or the National Fuel Gas Code, ANSI Z223.1-1988. When installing the blower fan kit, it must be grounded in accordance with local codes, or in absence of local codes, with the National Electrical Code, ANSI/NFPA 70-1987.