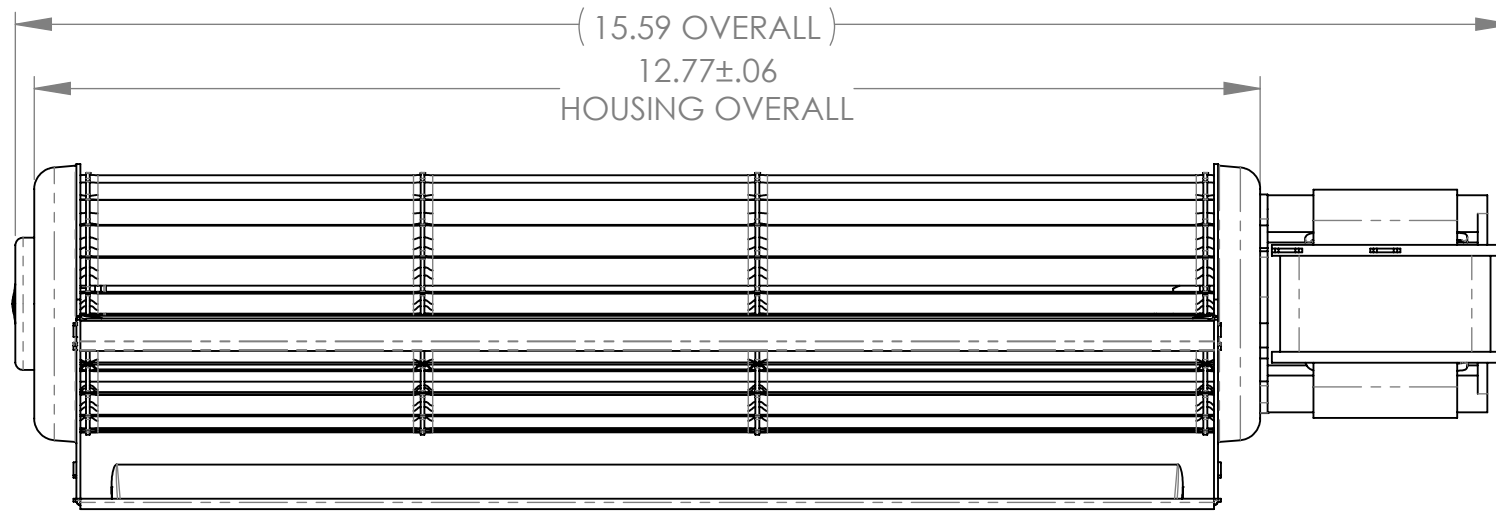
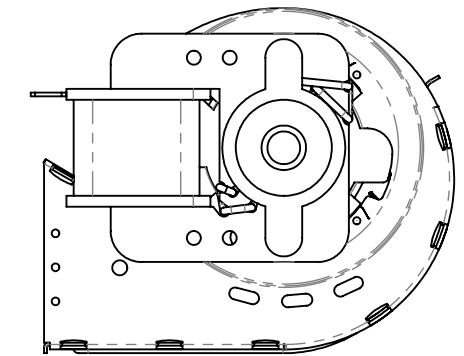


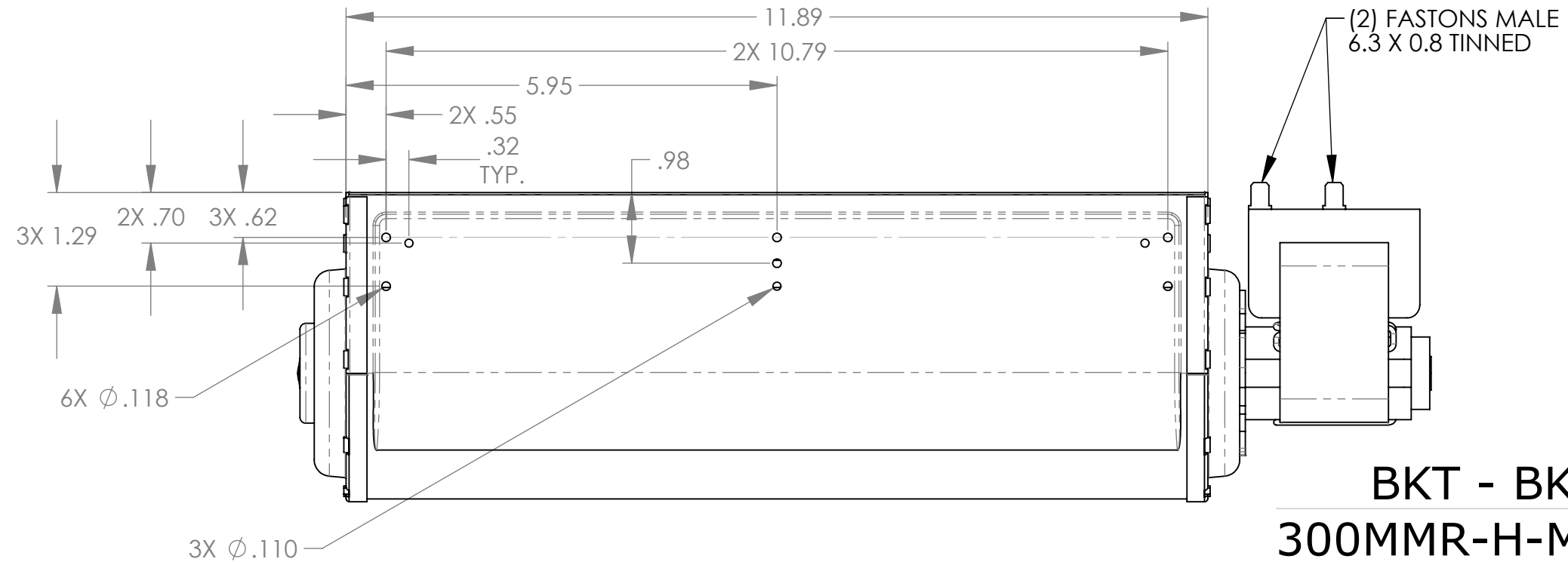
SIDE VIEW



DISCHARGE VIEW



MOTOR SIDE VIEW  
ROTATION DETERMINED  
FROM THIS SIDE



BKT - BK - FAN  
300MMR-H-MOTOR-65



MY  
**FireplaceBlower**

[www.MyFireplaceBlower.com](http://www.MyFireplaceBlower.com)