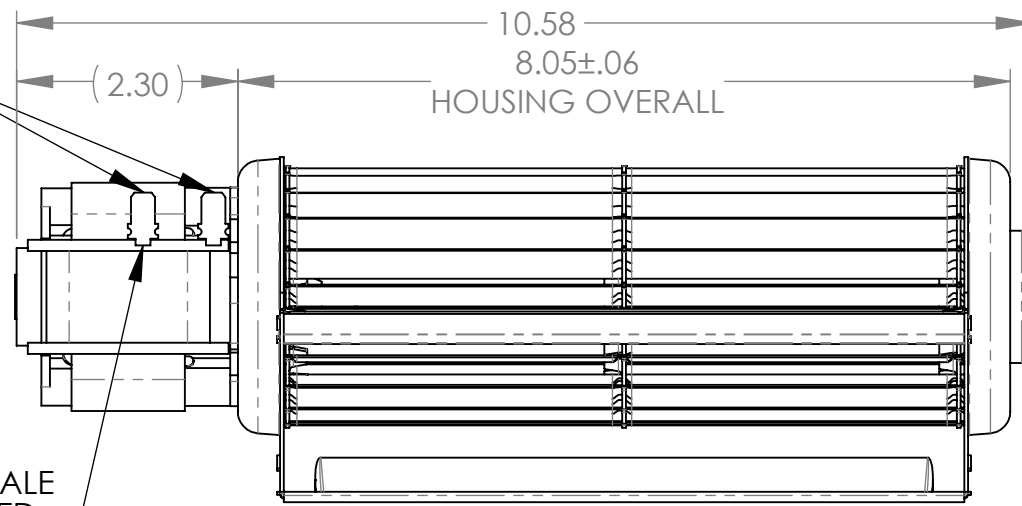


MOTOR SIDE VIEW
ROTATION DETERMINED
FROM THIS SIDE

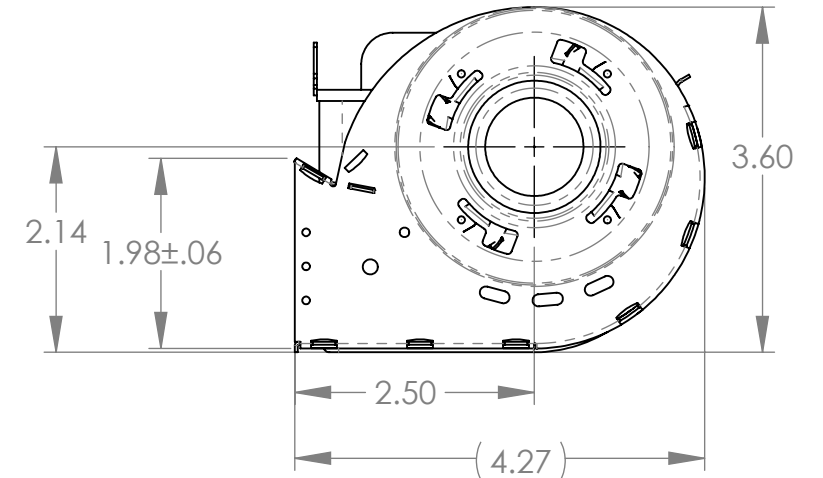
(2) FASTONS MALE
6.3 X 0.8 TINNED

(2) FASTONS MALE
6.3 X 0.8 TINNED

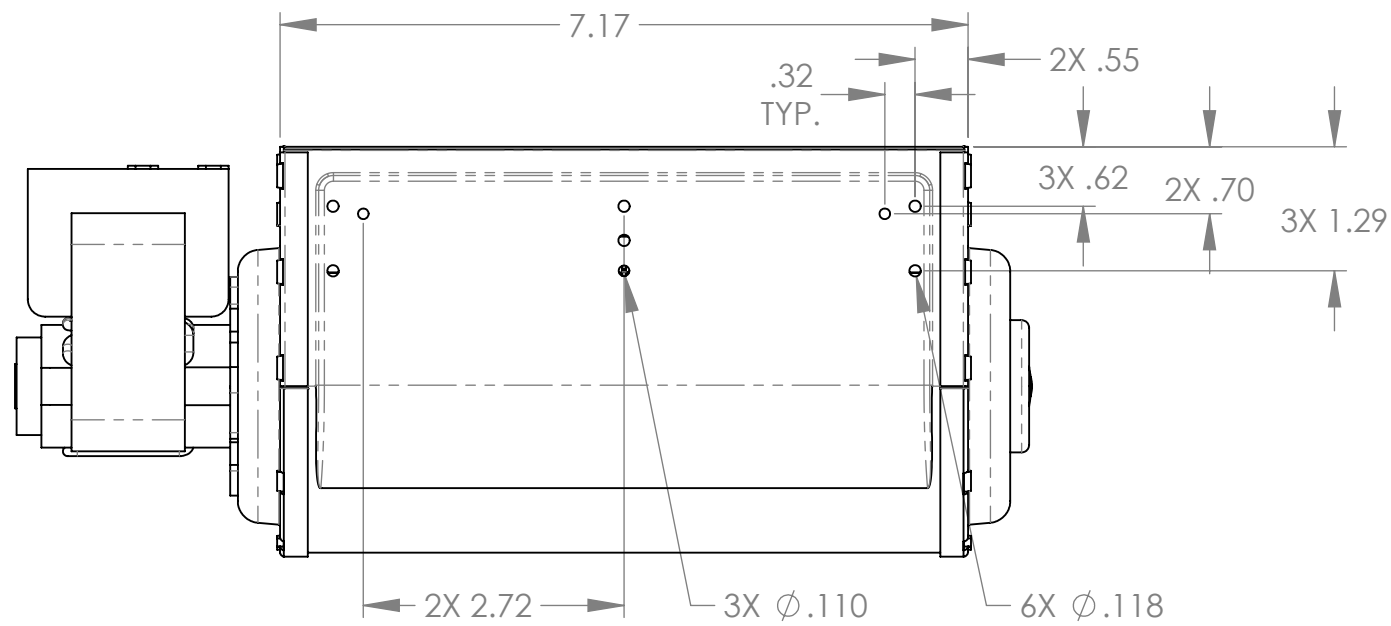


DISCHARGE VIEW

BEARING ASSEMBLY



BEARING SIDE VIEW

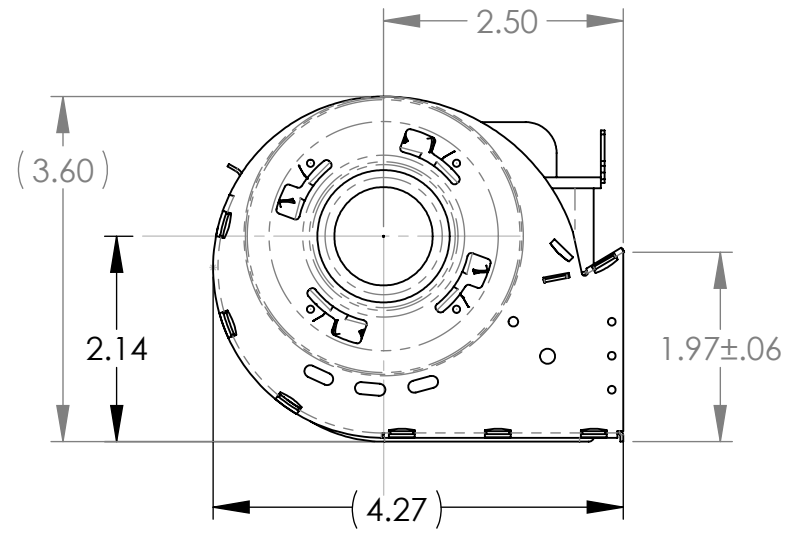


600-1 Left - FAN
180MML-H-MOTOR-65

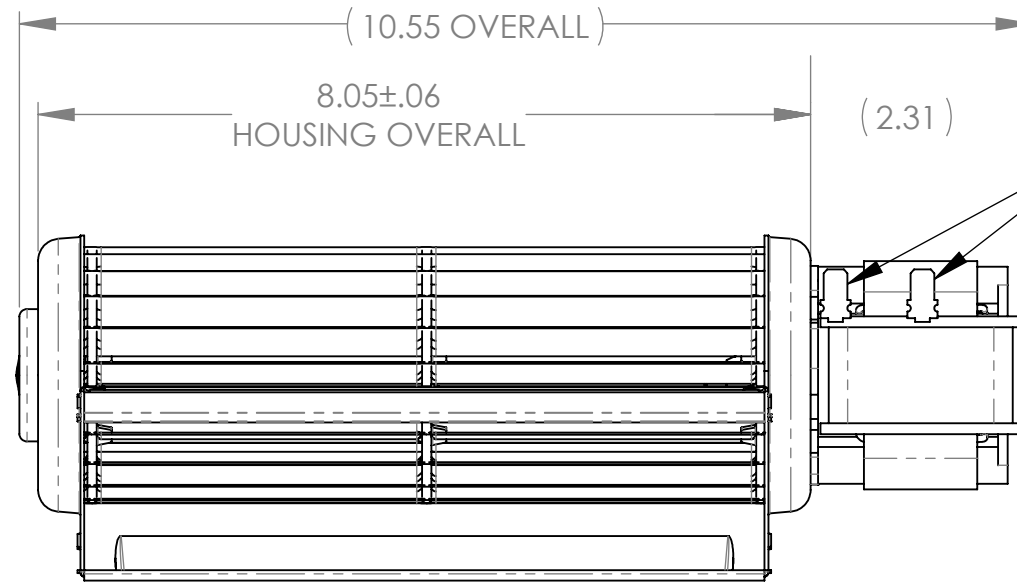


MY
FireplaceBlower

www.MyFireplaceBlower.com

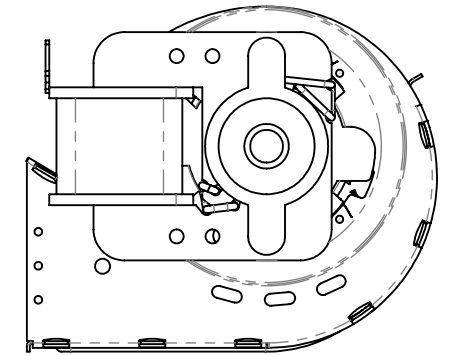


SIDE VIEW

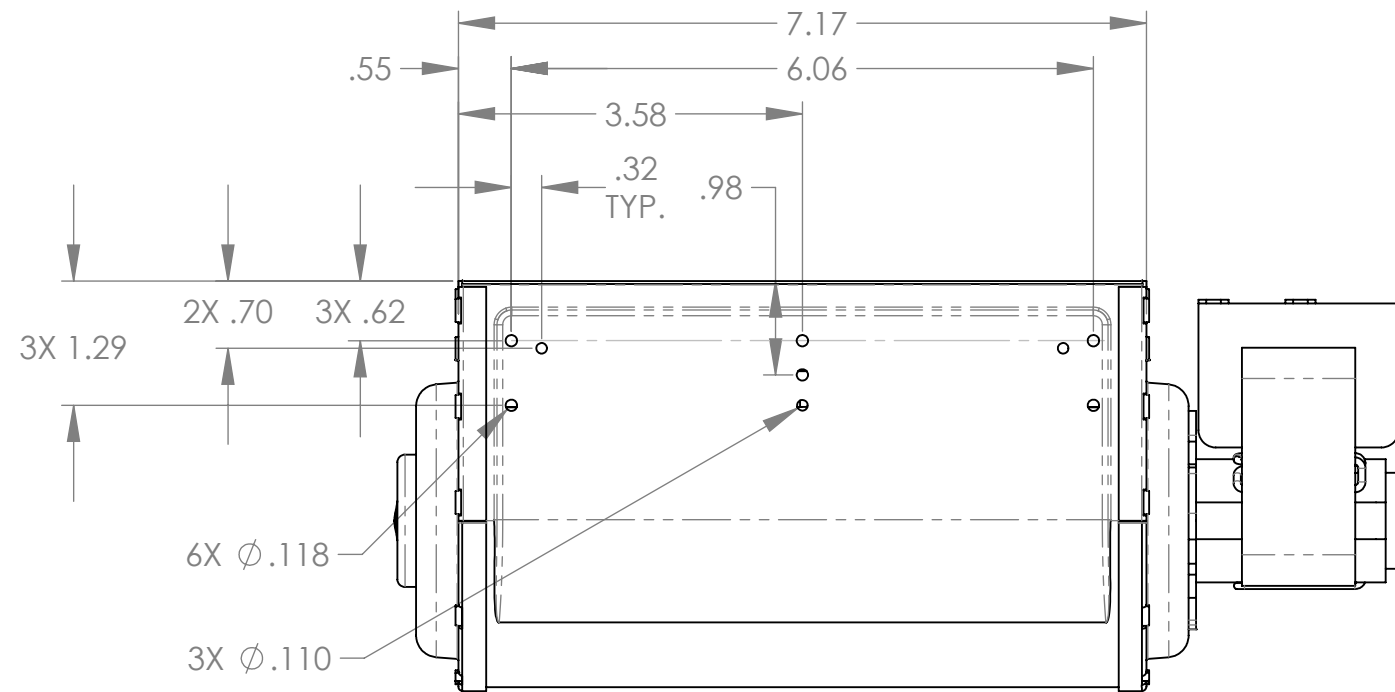


DISCHARGE VIEW

(2) FASTONS MALE
6.3 X 0.8 TINNED



MOTOR SIDE VIEW
ROTATION DETERMINED
FROM THIS SIDE



600-1 Right - FAN
180MMR-H-MOTOR-65



MY
FireplaceBlower

www.MyFireplaceBlower.com