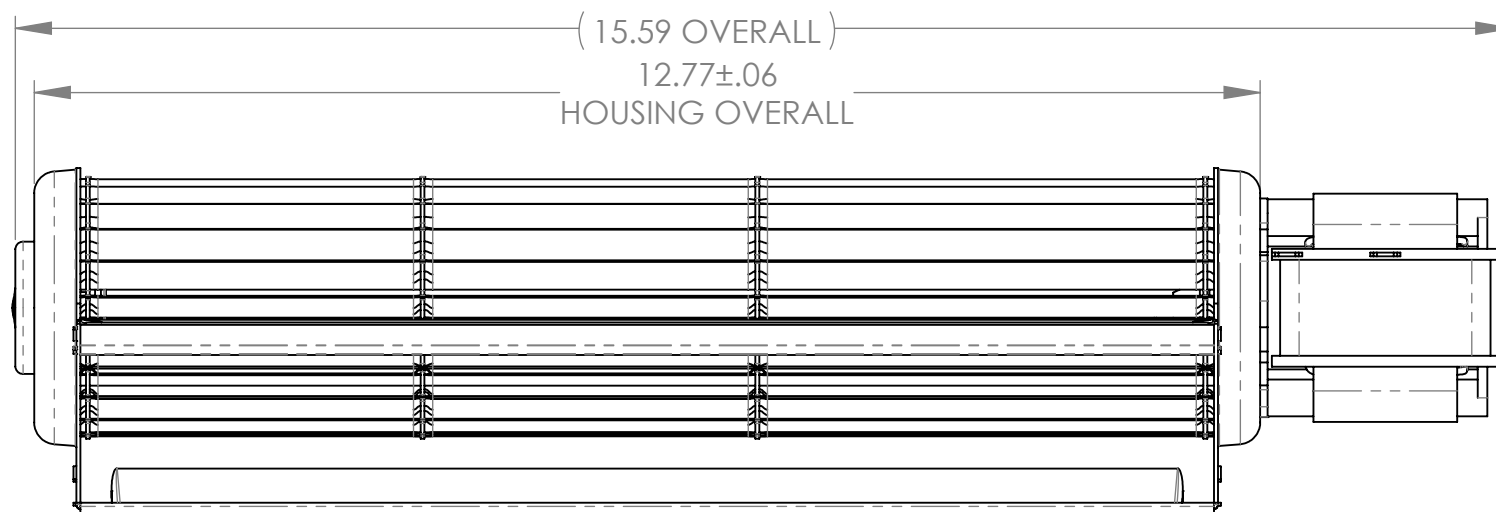
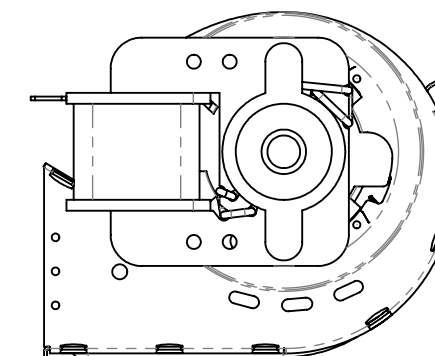


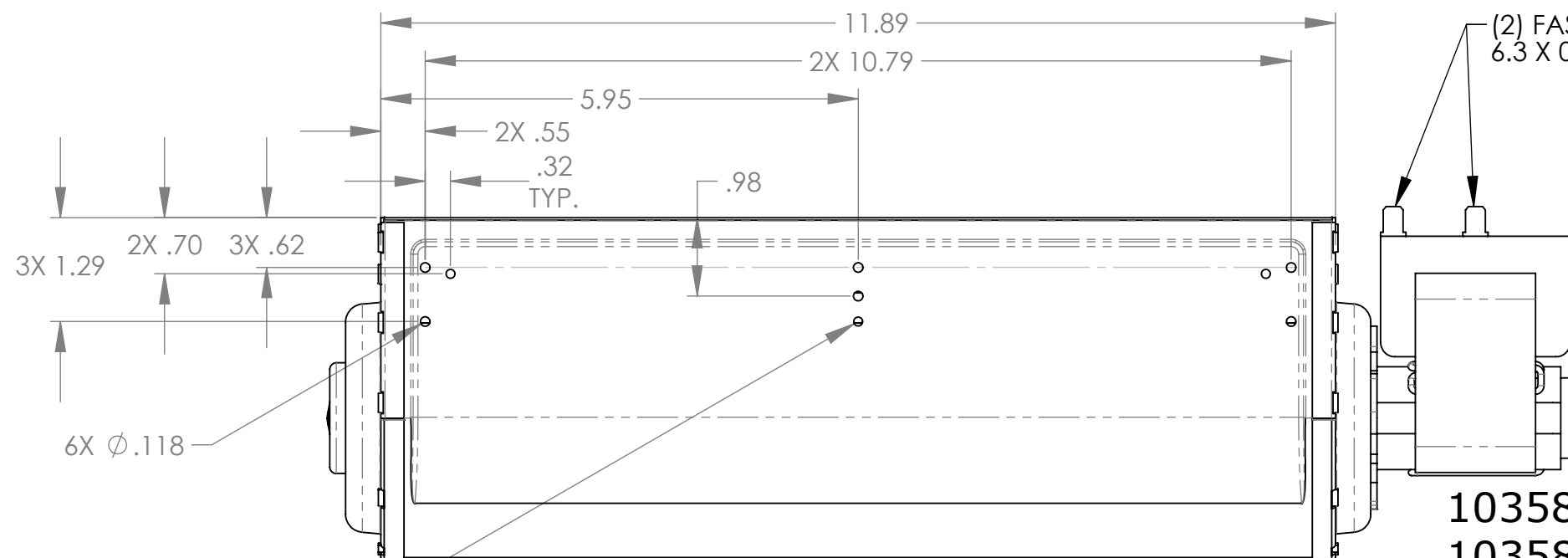
SIDE VIEW



DISCHARGE VIEW



MOTOR SIDE VIEW
ROTATION DETERMINED
FROM THIS SIDE



(2) FASTONS MALE
6.3 X 0.8 TINNED

103581-01 - 103581-02
103581-03 - 103581-04
300MMR-H-MOTOR-65



MY
FireplaceBlower

www.MyFireplaceBlower.com