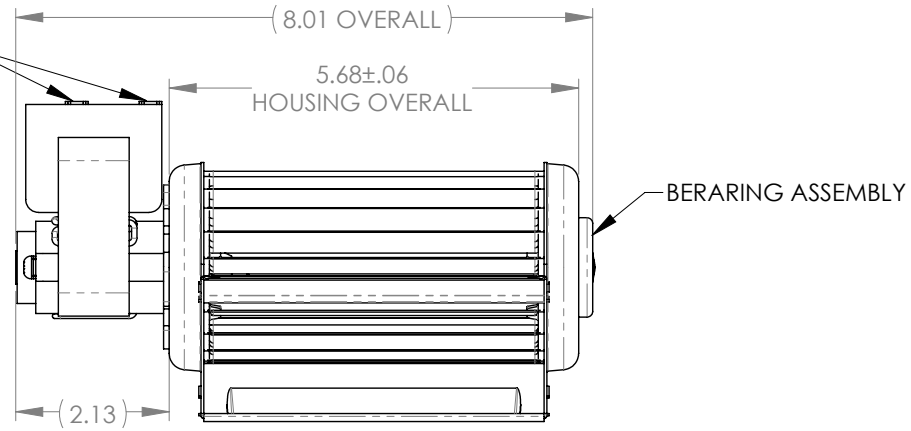
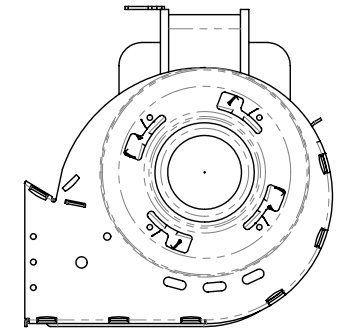


MOTOR SIDE VIEW  
 ROTATION DETERMINED  
 FROM THIS SIDE

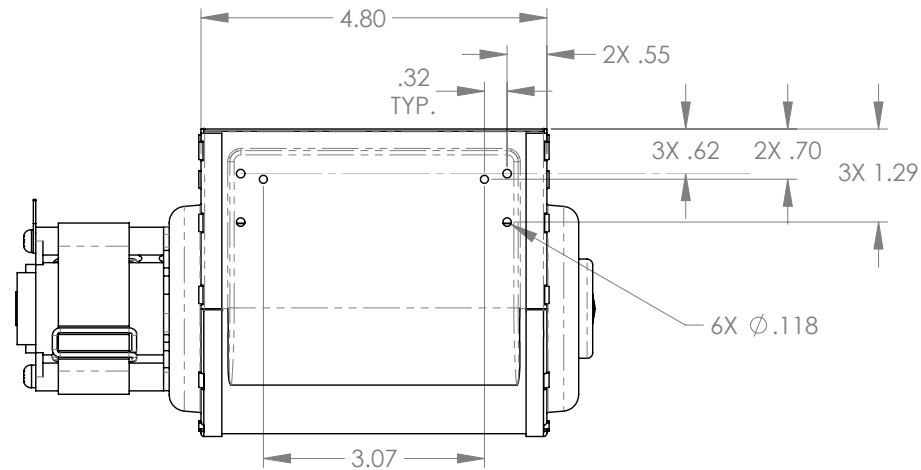
(2) FASTONS MALE  
 6.3 X 0.8 TINNED



DISCHARGE VIEW



END SIDE VIEW



**GFK21B - FAN**  
**120MML-V-MOTOR-65**



**MY**  
**FireplaceBlower**

[www.MyFireplaceBlower.com](http://www.MyFireplaceBlower.com)