



Instructions for Design Version - GFK-160A Blower Kit



WARNING

RISK OF FIRE AND ELECTRICAL SHOCK!

TURN OFF THE GAS AND ELECTRICAL POWER BEFORE INSTALLING BLOWER!

When installed, make sure to contain any excess wire of the cord set; Preventing it from making contact with moving or hot objects.

Drywall dust or other fragments may be present in your fireplace's vent space, clean this area before you install the blower kit. Any bearing or motor damage resulting from this condition is not covered by the warranty policy.

This Blower Kit is tested and safe when installed in accordance with these installation instructions. It is your responsibility to read all instructions and consult the Owner's Installation Manual for your particular model number for Supplemental Information before starting installation. Blower operates on 120V/60Hz power.

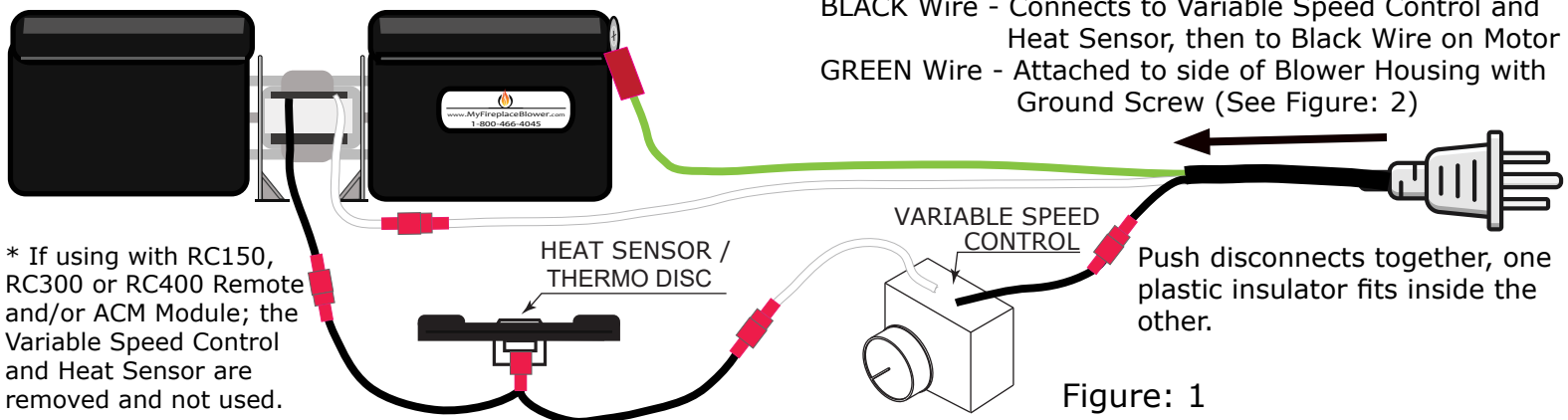
Blower Kit Parts

Check the contents of the carton. Make sure nothing was damaged in shipment. Do NOT install a damaged blower kit!

Step 1: Turn Off Fireplace and allow it to cool down. Disconnect from 120V Power. Shut off the Gas supply. Remove the louver which covers the lower vent space below the firebox.

Lay cord set on floor and connect wires (Figure: 1). Plug Power Cord into "Live" Outlet. Test Blower operation by placing flame to Silver Disc of Heat Sensor for 10 seconds. Verify Speed Control in "ON" Position (Figure:12).

Description	Qty.
Blower - Magnetic Mount	1
* Thermodisc / Heat Sensor	1
* Variable Speed Control	1
Power Cord	1
3-Prong to 2-Prong Adapter	1
Jumper Wire (Black)	1
Small Ground Screw	1
Installation Instructions (Downloadable)	1



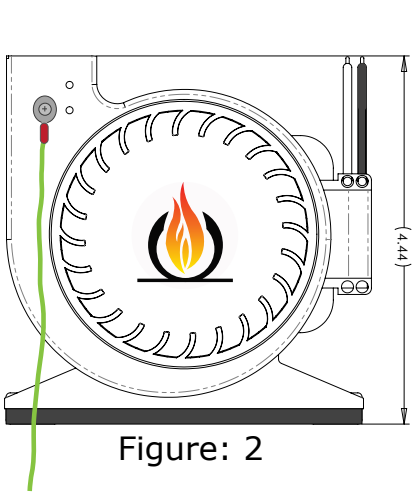


Figure: 2

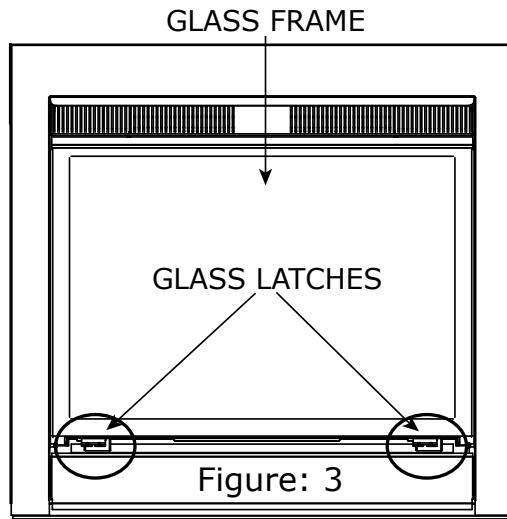


Figure: 3

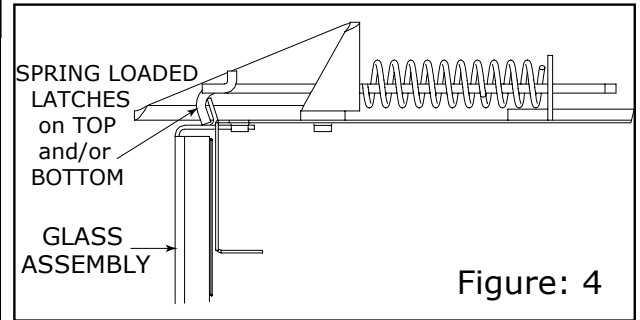


Figure: 4

Step 2: The Blower is 4.44 inches high.

Place Blower up to Lower Vent Space opening to confirm Blower will fit (Figure 5).

If height is close, remove Glass Frame by using the Spring Loaded Latches as shown is (Figures 3 & 4).

- For "SL" Series, see (Figures: 10 & 20); a removable cross-member bar may be present.
- Multi-Sided fireplace see (Figures: 18 & 19).
- Typically, there is space on the Right side of Gas Valve to insert Blower, you may need to move objects out of the way during installation (Figure: 7).
- Cleaning the lower vent space is Recommended before installation. Visualize pathway for blower insertion.
- Remove clear backing of velcro on back of Blower. Position blower with rectangle air exit ports facing up and motor facing left (Figure: 5).

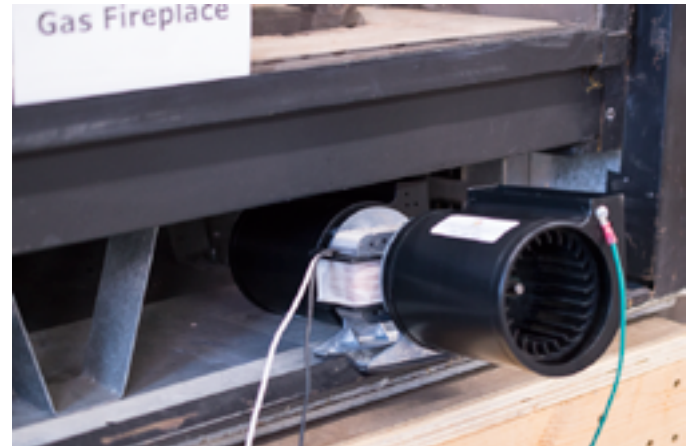


Figure: 5

- Slide blower into lower vent space, centering against the rear wall. (Figures: 5, 6 & 7)
- Position blower 1/8" to 1/4" from back wall of fireplace. (Figure: 6)

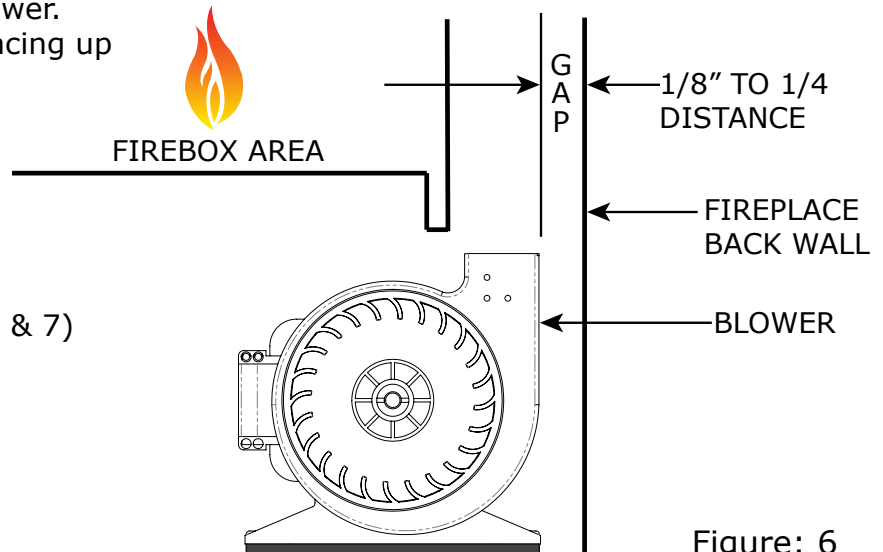


Figure: 6

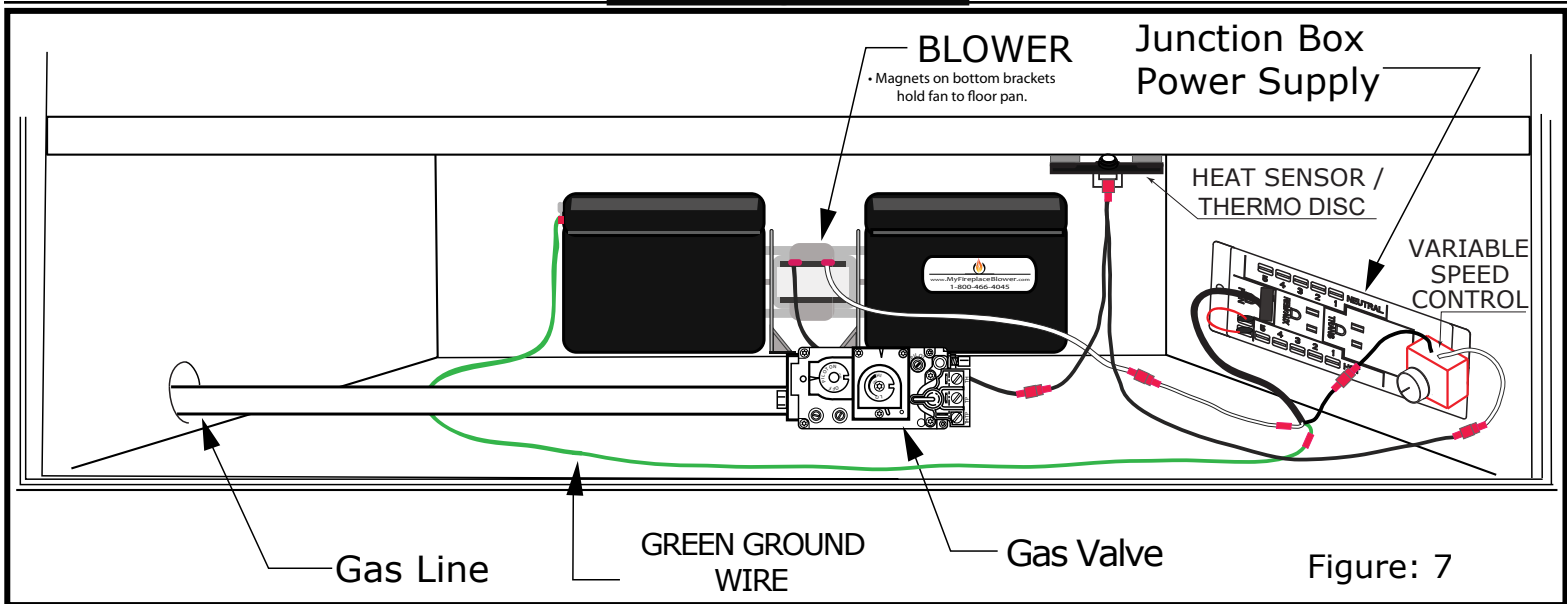


Figure: 7

(Figure: 7) Above illustrates blower position in the rear of lower vent space and where the wires are correctly connected.

Step 3: Typically, there is screw stud right of center on the underside of the firebox or on the lower right side of the firebox, place the Thermodisc next to screw stud on underside of firebox or on Side Wall. (Figures: 7,8,9 & 10)

•The silver disc of the Thermodisc must be touching metal surface on exterior of the firebox to sense heat. The magnets will simply hold itself to the metal.

- Various conditions (such as fireplace model, type of fireplace installation, outside air temperature vs. in side air temperature) can contribute to the length of the time the blower remains on after the fireplace burner is turned OFF.
- Moving Heat Sensor slightly away from center will allow Blower to turn off faster after fireplace is turned off.
- The blower can be turned off manually with the Variable Speed Control.

Figure: 9

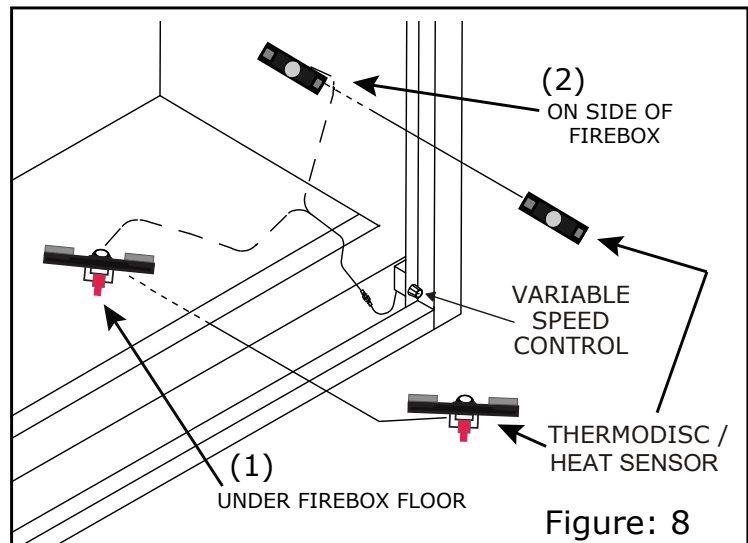
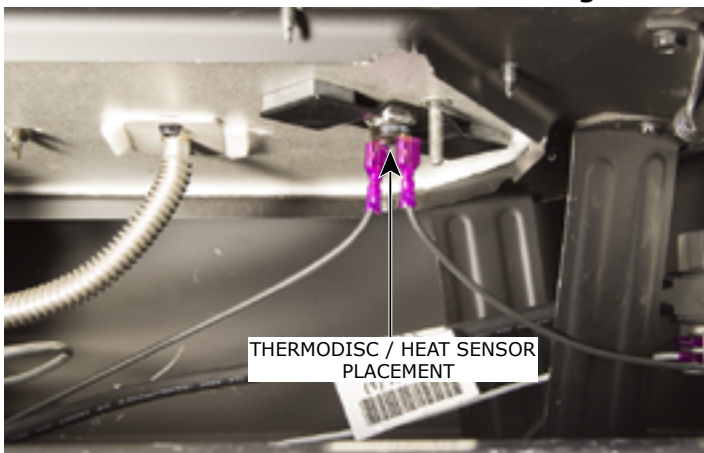
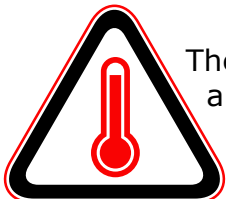


Figure: 8



The fan will not run until the Thermodisc / Heat Sensor reaches approximately 120°F and the Variable Speed Control is turn to the "ON" Position! This means the Heat Sensor must be in contact with a hot spot on the underside of the Firebox.



Step 4: The Variable Speed Control may be mounted on the right side of the lower vent space or in center on front of the control panel (Figures: 7, 10 & 11).

Wipe off the mounting location to ensure it is clean. Remove the clear backing of velcro attached to Variable Speed Control and apply to the mounting location.

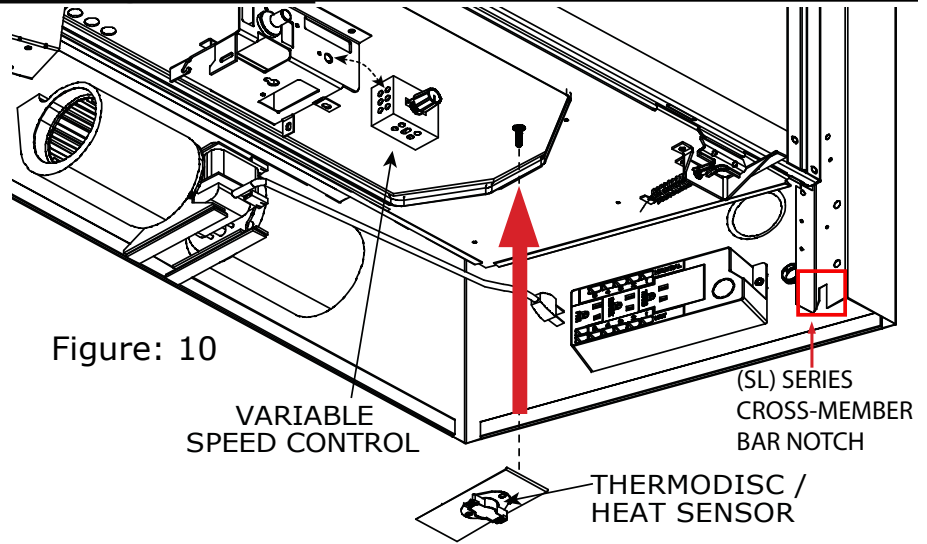


Figure: 10

- Turn the dial to counter-clockwise to increase speed until it clicks off, turn right to reduce speed. (Figure: 12)

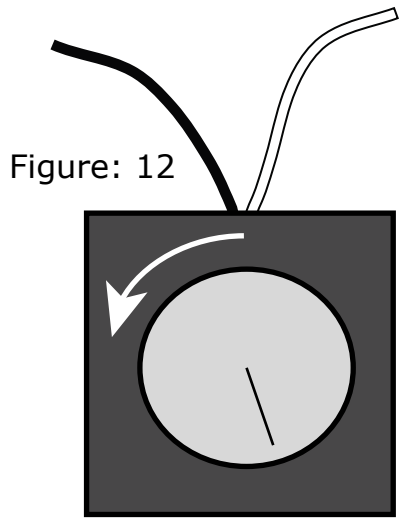


Figure: 12

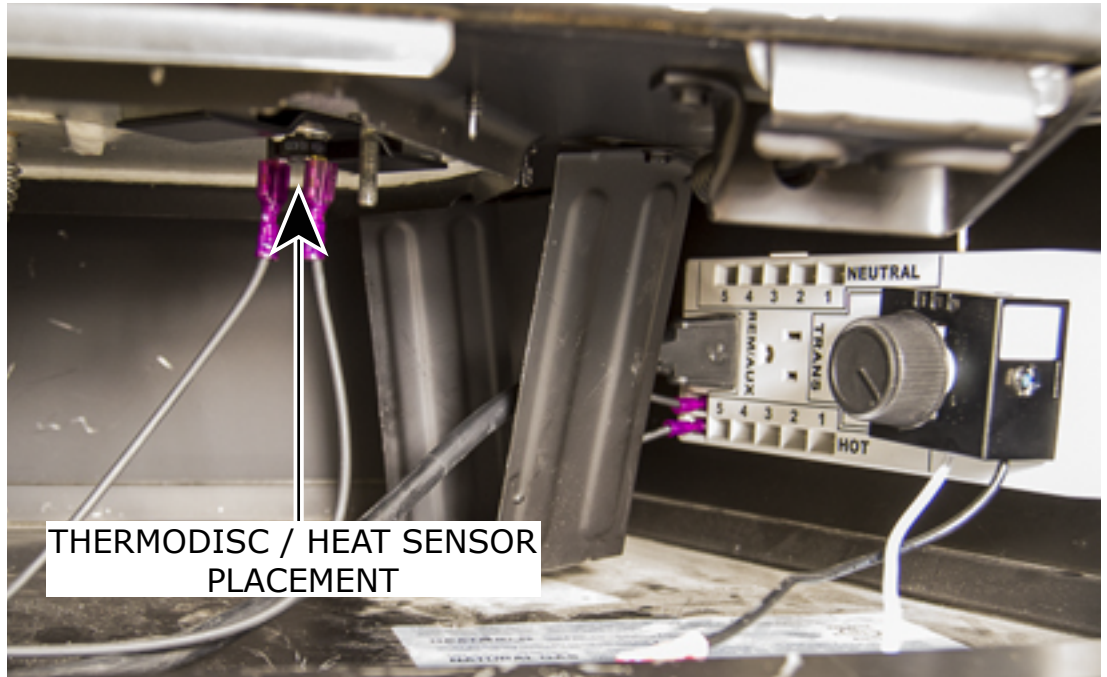


Figure: 11

- To adjust minimum speed: Rotate clockwise to decrease low-end speed; counter-clockwise to increase low-end speed. (Figure: 13)

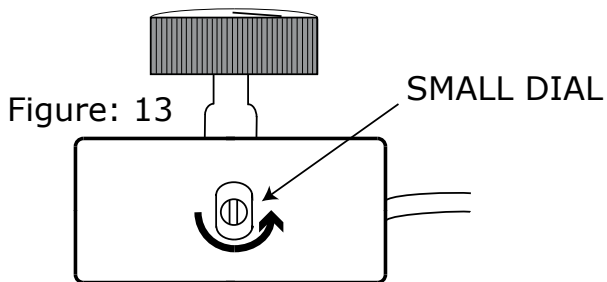


Figure: 13

- You may want to wait and run blower a few times to see where you would like to mount the variable speed control. The speed control must be in the ON position in order for the blower to run (Figure: 12).

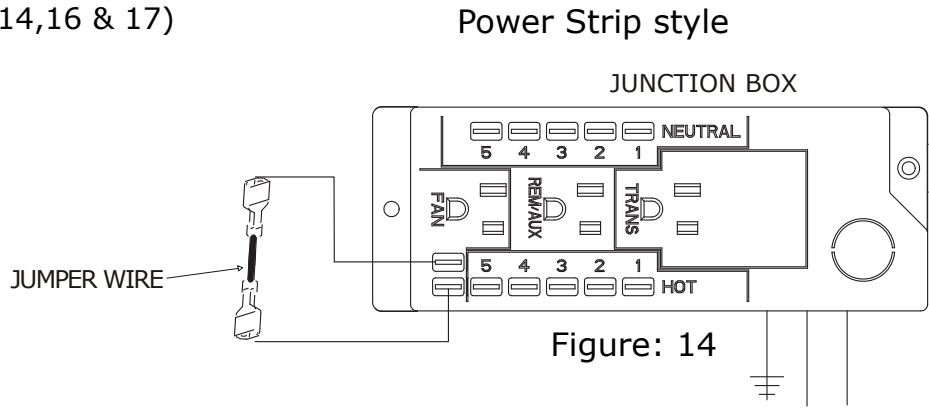
- The blower will not turn on until the Thermodisc reaches approximately 120F degrees and the variable speed control is in the ON position.



Step 5: Check Junction Box style (Figures: 14,16 & 17) and follow the instructions for your type.

Power Strip style: Insert the Black jumper wire into the two small ports of the lower left corner of Junction Box. Below where 'FAN' is printed, one port is above the other. (Figures: 14 & 15)

•Plug Blower in where "FAN" is printed on the Junction Box. (Figures: 14 & 15)



Metal Style: Make sure the 2 wires coming from junction box ARE plugged together. Push disconnects together, one plastic insulator fits inside the other.

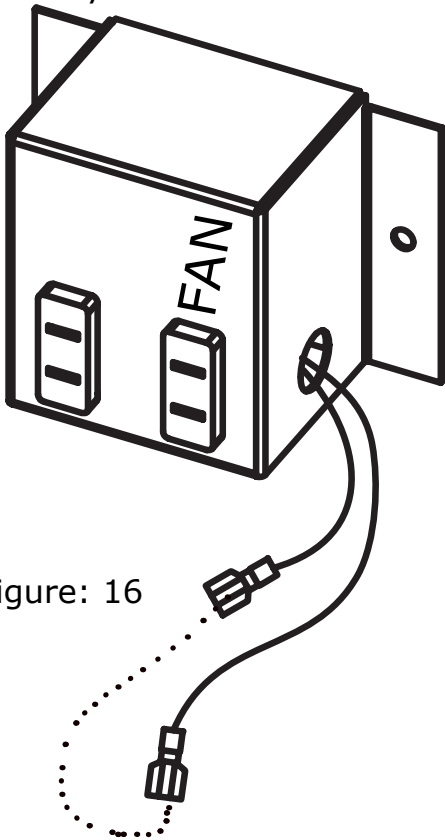
•Use 3-Prong to 2-Prong plug adapter and insert Blower plug in receptacle labeled "FAN". (Figure: 16)



Newer (IFT): Black jumper wire is not used.

•Insert Blower Plug in Receptacle on Junction Box. (Figure: 17)

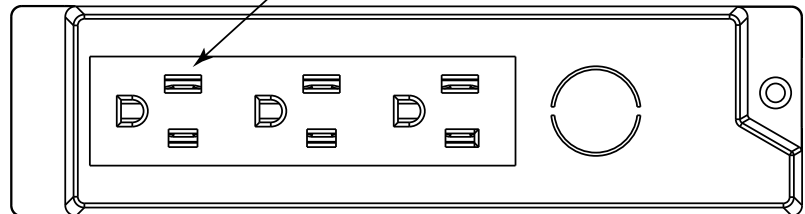
Metal style Junction Box



(IFT) Junction Box
POWER CORD

Figure: 17

Plug In Receptacle on Junction Box



•Finishing Steps:

If gas supply is Turned Off, turn it back on.

If 120 Volt Power is Turned Off, turn it back on.

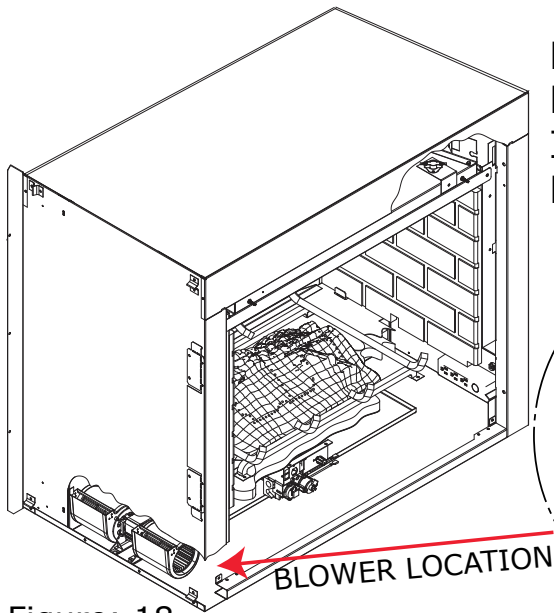


Figure: 18

MULTI-SIDED FIREPLACE BLOWER INSTALLATION LOCATION

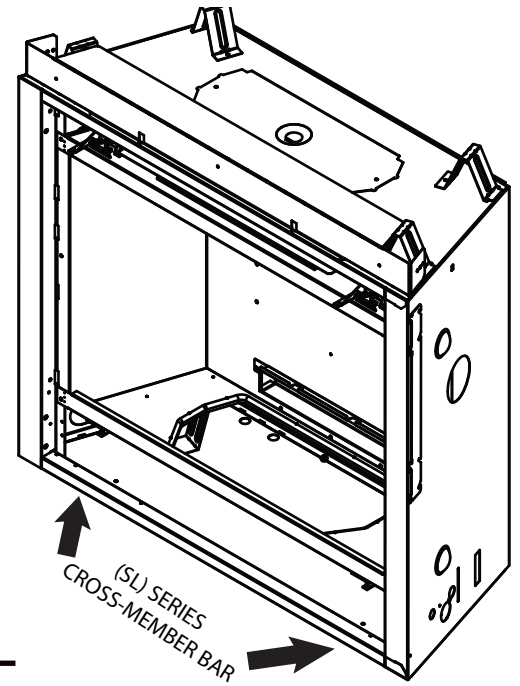
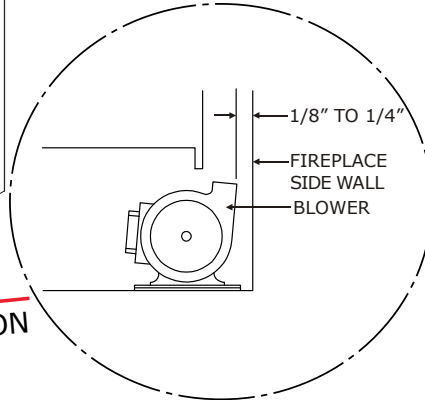


Figure: 20

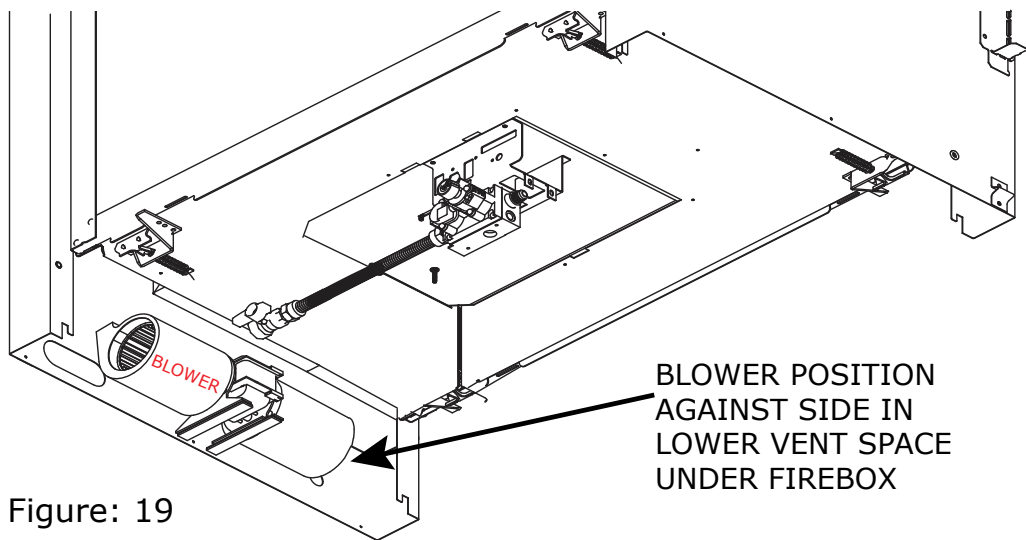


Figure: 19

(Figures: 18 & 19) show where the Blower is positioned against one of the side walls. Look for Gas Pipe position to make sure there is at least 13 Inches of space on either side of the Gas Pipe for Blower to fit. The blower needs to be positioned under the Vertical Vent space going up the Side Wall.

- (Figures: 20) Points out the cross-member bar which may be present on "SL" Series fireplaces.

My Fireplace Blower LLC produces and sells aftermarket fireplace blower kits; which require consultation of an Owner's Installation Manual from the Manufacturer of a particular fireplace model number for installation. During Installation of a fireplace blower kit or replacement blower, refer to the Owner's Installation Manual for your particular fireplace model to obtain supplemental information. My Fireplace Blower LLC is not responsible for any damage incurred during installation or resulting from installation of a fireplace blower kit, which was directed and/or conducted from the information within this document.

Installations in Canada must conform to the current CAN/CGAB-419.1 and .2 Gas Installation Code and local regulations. When installing the blower fan kit, it must be electrically grounded in accordance with CSA C22.1 Canadian Electrical Code Part 1 and/or Local Codes.

Installations in the USA must conform to local codes, or in absence of local codes or the National Fuel Gas Code, ANSI Z223.1-1988. When installing the blower fan kit, it must be grounded in accordance with local codes, or in absence of local codes, with the National Electrical Code, ANSI/NFPA 70-1987.