



Instructions for Design Version - FBK-100 Blower Kit



WARNING

RISK OF FIRE AND ELECTRICAL SHOCK!

TURN OFF THE GAS AND ELECTRICAL POWER BEFORE INSTALLING BLOWER!

When installed, make sure to contain any excess wire of the cord set;
Preventing it from making contact with moving or hot objects.

Drywall dust or other fragments may be present in your fireplace's vent space, clean this area before you install the blower kit. Any bearing or motor damage resulting from this condition is not covered by the warranty policy.

This Blower Kit is tested and safe when installed in accordance with these installation instructions. It is your responsibility to read all instructions and consult the Owner's Installation Manual for your particular model number for Supplemental Information before starting installation. Blower operates on 120V/60Hz power.

Blower Kit Parts

Check the contents of the carton.
Make sure nothing was damaged in shipment.
Do NOT install a damaged blower kit!

Description	Qty.
Fan	1
Power Cord	1
Dampening Pad, Velcro Strip	2
Mounting Bracket for Fan	1
Installation Instructions (Downloadable)	1

Step 1: Turn Off Fireplace and allow it to cool down. Disconnect from 120V Power. Shut off the Gas supply. Remove the louver which covers the lower vent space below the firebox.

Lay cord set out in a straight line, with the 3-Prong Power Plug furthest away from the fireplace.

Step 2: Push the Green Ground Wire disconnect onto the ground tab on end of fan. (Figure: 1)

Connect white and black wires from cord set to either of the two spade terminals attached to the motor. (Figure: 1)

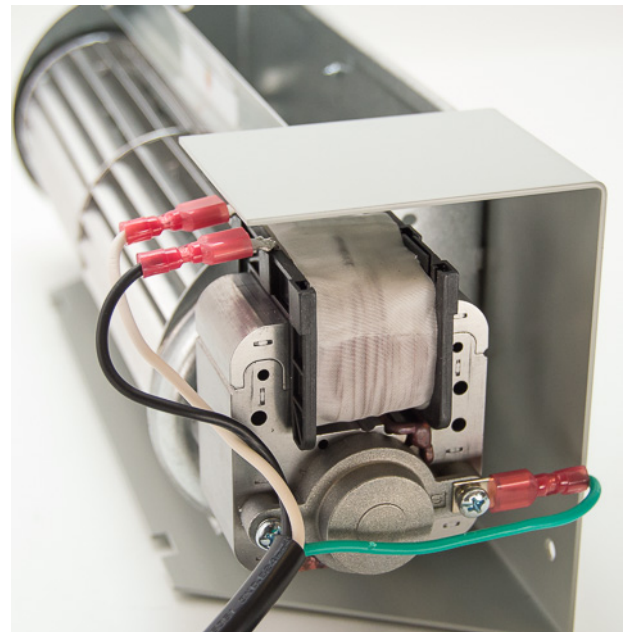


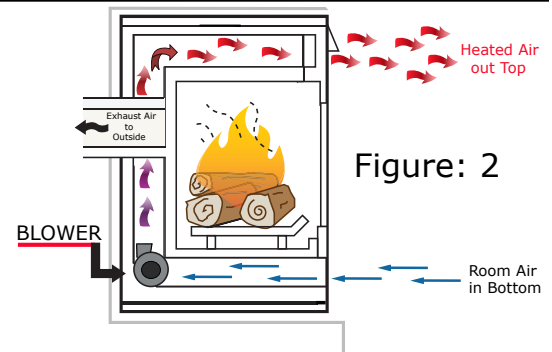
Figure: 1



If you have model UVFRC-4228, UVFRC-4228-H, UVFRC-3628, UVFRC-3628-H or UVF-36 go to Page 4.

Step 3: Under Firebox, wipe off area where the Fan will be mounted, this will allow velcro to take hold. Look for bracket mounting tabs. (Figures: 3,4,5 &6)

Figure 2 shows Air Circulation around the firebox.



Gas fireplaces: Open the lower vent space grill/louver assembly (louvered models).

On Merit Fireplaces: Remove the bottom panel or louvers by removing the screw at each end of the panel or louver, retain end spacers, then pull the panel or louvers from fireplace.

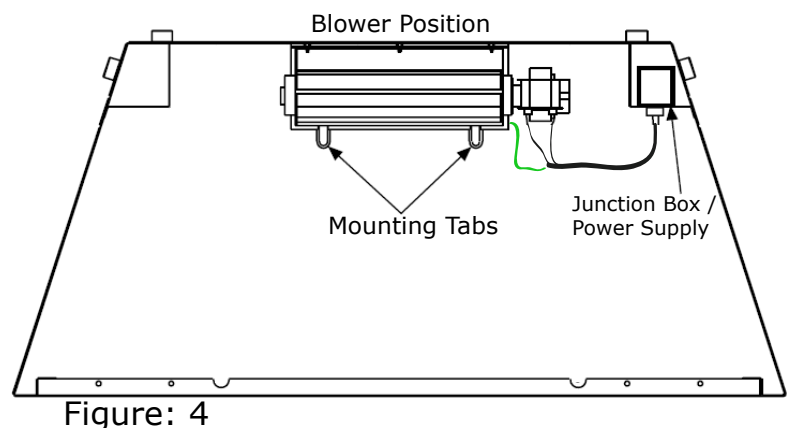
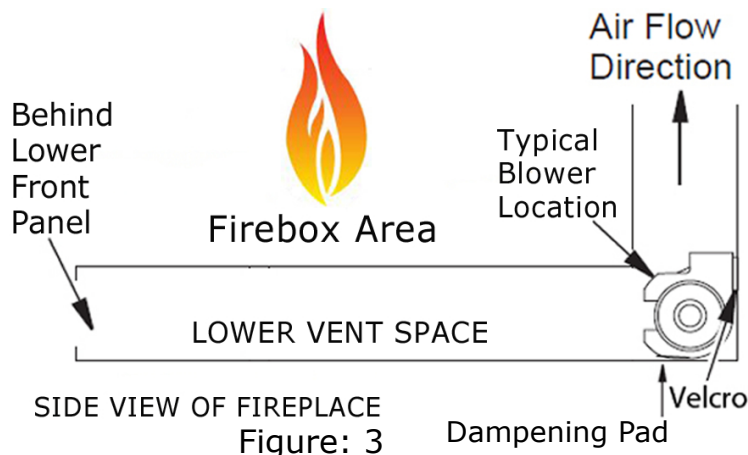
On Elite-2 Fireplaces: Remove the bottom grill/louvers by sliding the hinge pin, located at the door's left side, to the right. Pull the door diagonally to the left.

Elite-2 Series Gas Fireplaces: Remove the modesty panel by lifting the tab on the panel's right end, pull the right end of the panel away from cabinet and then pull the panel diagonally out of the corner. Remove modesty panel carefully.

(Wood-burning fireplaces)

When equipped with a louver panel: Push the two fireplace opening screens toward the middle of the unit to expose the louver panel retaining screw at each end of the panel. Remove the retaining screws and then pull the panel from the unit.

When equipped with a grille: Remove the bottom grille by lifting it up near its outer support rods, lift high enough to clear the support rod retaining holes located in the cabinet bottom flange.



Step 4:

A) Gas Fireplaces- Front-open direct vent and B-vent units: Hold fan assembly so the fan blades face up and fan motor is furthest away from fireplace. Remove the clear backing of the velcro strips attached to mounting bracket. Slide blower to the rear and position blower so the tabs on floor pan are seated in the notches of blower bracket. Bend tabs over to secure the blower assembly (Figure: 4).



B - Gas Fireplaces - Multi-open direct vent units: Open bottom hinged-panels. Hold fan assembly so the fan blades face up and fan motor is furthest away from fireplace. Remove the clear backing of the velcro strips attached to mounting bracket. Slide blower into position so that the tabs on floor pan are seated in notches of the blower bracket. Bend tabs over to secure the blower assembly (Figure 5).

C - Gas Fireplaces - Multi-open vent-free units: Open bottom hinged-panels. Remove blower shield located inside on right. Refer to installation instructions included with the fireplace for additional information. Remove the clear backing of the velcro strips attached to mounting bracket. Slide blower into position so that the tabs on floor pan are seated in notches of the blower bracket. Bend tabs over to secure the blower assembly. Reinstall the blower shield with blower cord routed to Junction Box.

D - Wood-burning fireplaces (other than vent-free): Remove the clear backing of the velcro strips attached to mounting bracket. Slide blower in lower front opening and position in the front of the vent space (Figure: 6) Push down firmly on bottom sides of blower bracket to insure good adhesive contact.

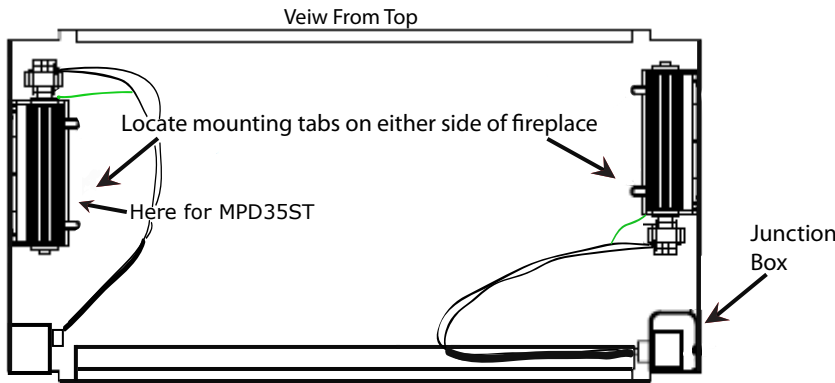
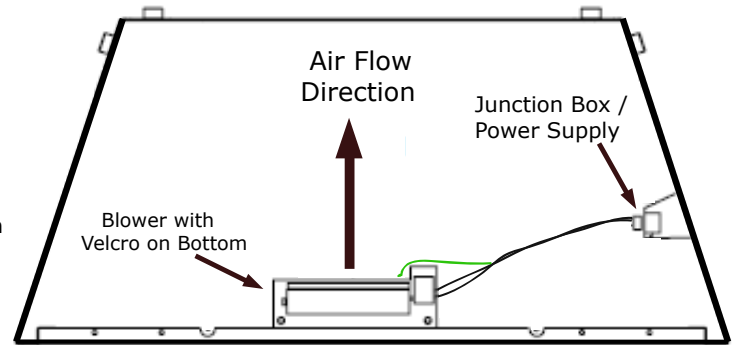


Figure: 5



Blower Centered in Middle at Front of Unit
Installation of Blower for Wood Burning Fireplaces
Figure: 6 (Other Than Vent-Free)

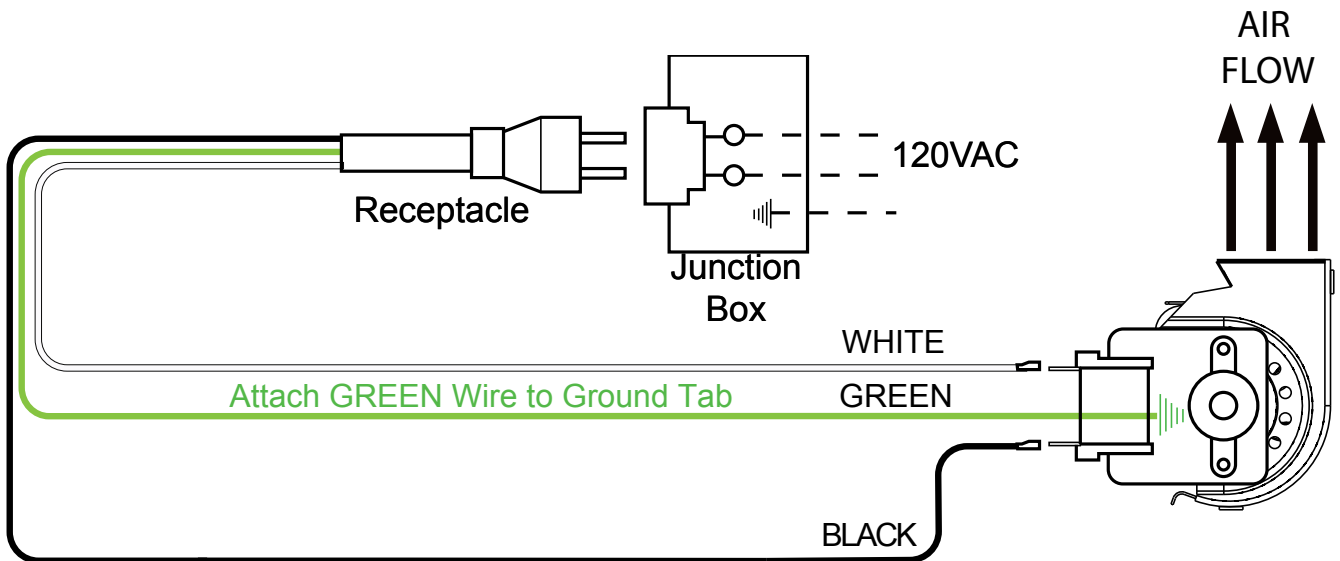


Figure: 7



Models UVFRC-4228, UVFRC-4228-H, UVFRC-3628 and UVFRC-3628-H: Lift out the bottom refractory panel (Figure 8).

Model UVF-36:

Using a screwdriver remove the screw from the blower access panel. Slide the panel to the right until the flange clears the opening and remove the panel (Figure: 8).

Step B: Put any loose cords to the side.

Step C: Locate the tabs and position the blower assembly so the tabs (located on the floor pan) are seated in notches of the blower bracket. Bend tabs over to secure the blower assembly.

Step D: Plug 3-Prong plug into the Junction Box.

Step E: Re-install refractory panel/blower access panel.

Step 5: Insert 3-Prong Plug into Top Power Receptacle of Junction Box (Figure: 9).

•Wiring Diagram for this Blower Kit is illustrated in Figure: 7.

Step 6: Reinstall any panels or grills/louvers, make sure none of the wires become loose or disconnected.

Finishing Steps:

If appliance is connected to a gas supply, turn it back on.

If Appliance is connected to 120 Volt Power, turn it back on.

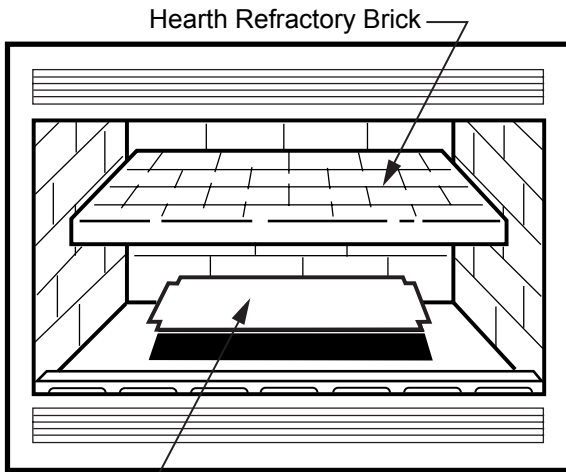


Figure: 8

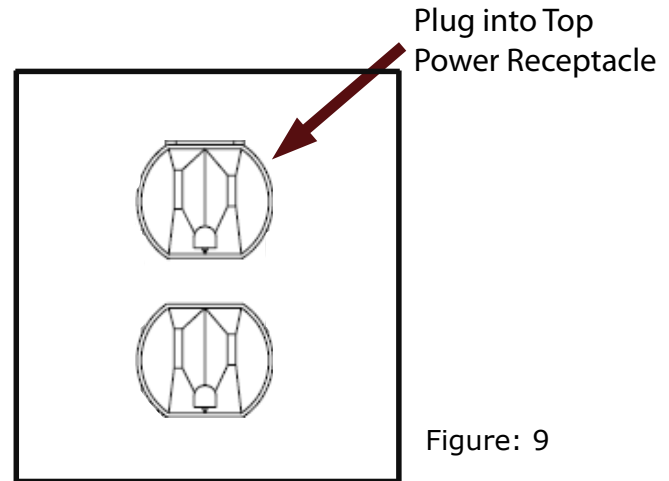


Figure: 9

My Fireplace Blower LLC produces and sells aftermarket fireplace blower kits; which require consultation of an Owner's Installation Manual from the Manufacturer of a particular fireplace model number for installation. During Installation of a fireplace blower kit or replacement blower, refer to the Owner's Installation Manual for your particular fireplace model to obtain supplemental information. My Fireplace Blower LLC is not responsible for any damage incurred during installation or resulting from installation of a fireplace blower kit, which was directed and/or conducted from the information within this document.

Installations in Canada must conform to the current CAN/CGAB-419.1 and .2 Gas Installation Code and local regulations. When installing the blower fan kit, it must be electrically grounded in accordance with CSA C22.1 Canadian Electrical Code Part 1 and/or Local Codes.

Installations in the USA must conform to local codes, or in absence of local codes or the National Fuel Gas Code, ANSI Z223.1-1988. When installing the blower fan kit, it must be grounded in accordance with local codes, or in absence of local codes, with the National Electrical Code, ANSI/NFPA 70-1987.